

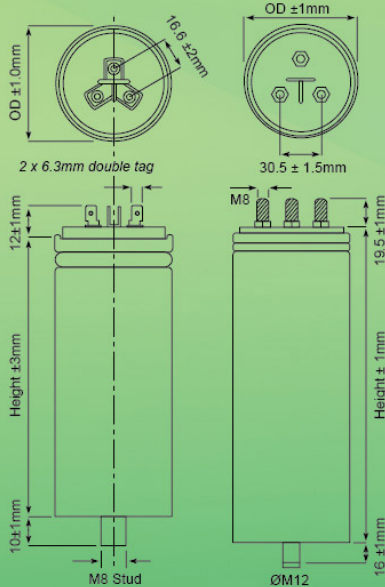


# ELECTRICAL COMPONENTS SDN BHD

THE FIRST CHOICE IN ENERGY EFFICIENCY



### Product Dimension



1.0KVAR  
to  
5.0KVAR

10KVAR  
to  
30KVAR

### ELCO Cylindrical-Type Power Capacitor 200/205Series

Three-phased Cylindrical-Type Power Capacitor is used to correct Power Factor for Motors, Low Voltage Transformers and inside Industrial Switchboard. It is sometimes used with blocking reactors with harmonics presence.

### PRODUCT SPECIFICATION

No.	Specifications	Data	
		200 Series	205 Series
1	Construction	Cylindrical	
2	External Terminal Box & Casing Finishing	Extruded Aluminum Casing	
3	Type	Dry, Self-Healing	
4	Dielectric	Bi-Axially Oriented Polypropylene	
5	Plate	Zinc-Aluminium Alloy	
6	Rated Voltage (UN)	440V	525V
7	Frequency (fN)	50 / 60 Hz	
8	Connection	Internal Delta	
9	Temperature Category	D / -25°C to +55°C	
10	Capacitance Tolerance	-5% / 10%	
11	Dielectric Loss	≤ 0.2W / KVAR	
12	Encapsulation/Impregnation	Polyurethanic Resin Oven Cured Flame Retardant	
13	Testing Voltage Between Terminals / time	2.15 UN / 2s	
14	Testing Voltage Between Terminals and Container / time	3000 V / 10s	6000 V / 10s
15	Maximum Permissible Voltage For 8 hrs in every 24 hrs	1.1 UN	
16	Maximum Permissible Continuous Current	1.3 IN	
17	Maximum Permissible Overload Current	1.5 IN	
18	Lightning Impulse Test Terminal-Container	15KV(Peak)	
19	Discharge Resistor	For 1 – 5 kVAR For 10 – 30 kVAR	Internal / 3 sets of 2 x 6.3mm Double Tags External / 3 x M8 Treaded Cu Stud
20	Screw Torque	M8 < 4Nm; M12 < 10Nm	
21	Terminal Arrangements	Nylon Insulated Top Decks with M8 Tin Coated Brass Terminals	
22	Minimum Installation Clearance	15mm Between Top of Capacitor to Enclosure; 50mm between units	
23	Statistical Life Expectancy	> 150,000 Operating Hours	
24	Standards	IEC 60831-1/2	
25	IP Rating	IP54(With Cable Gland And Cover-SIRIM)	
26	Safety Device	Pressure Activated Series Interruptor	

EXCELLENCE THROUGH CONTINUOUS IMPROVEMENTS



# ELECTRICAL COMPONENTS SDN BHD

THE FIRST CHOICE IN ENERGY EFFICIENCY

## PRODUCT INFORMATION – 200 SERIES

f <sub>N</sub>	50Hz										60Hz										Dimension (mm)		Weight (kg)	
	440V		415V		400V		380V		240V		440V		415V		400V		380V		240V					
U <sub>N</sub>	Q <sub>N</sub>	I <sub>N</sub>	Q <sub>N</sub>	I <sub>N</sub>	Q <sub>N</sub>	I <sub>N</sub>	Q <sub>N</sub>	I <sub>N</sub>	Q <sub>N</sub>	I <sub>N</sub>	Q <sub>N</sub>	I <sub>N</sub>	Q <sub>N</sub>	I <sub>N</sub>	Q <sub>N</sub>	I <sub>N</sub>	Q <sub>N</sub>	I <sub>N</sub>	Q <sub>N</sub>	I <sub>N</sub>	Q <sub>N</sub>	I <sub>N</sub>	OD	H
200QELCO0010	1.0	1.3	0.9	1.2	0.8	1.2	0.7	1.1	0.3	0.7	1.2	1.6	1.1	1.5	1.0	1.4	0.9	1.4	0.4	0.9	60	150	0.5	
200QELCO0015	1.5	2.0	1.3	1.9	1.2	1.8	1.1	1.7	0.4	1.8	1.8	2.4	1.6	2.2	1.5	2.2	1.3	2.0	0.5	1.3	60	150	0.5	
200QELCO0020	2.0	2.6	1.8	2.5	1.7	2.4	1.5	2.3	0.6	1.4	2.4	3.2	2.1	3.0	2.0	2.9	1.8	2.7	0.7	1.7	60	150	0.5	
200QELCO0025	2.5	3.3	2.2	3.1	2.1	3.0	1.9	2.8	0.7	1.8	3.0	3.9	2.7	3.7	2.5	3.6	2.2	3.4	0.9	2.2	60	150	0.5	
200QELCO0030	3.0	3.9	2.7	3.7	2.5	3.6	2.2	3.4	0.9	2.1	3.6	4.7	3.2	4.5	3.0	4.3	2.7	4.1	1.1	2.6	60	150	0.5	
200QELCO0033	3.3	4.3	2.9	4.1	2.7	3.9	2.5	3.7	1.0	2.4	4.0	5.2	3.5	4.9	3.3	4.7	3.0	4.5	1.2	2.8	60	150	0.5	
200QELCO0050	5.0	6.6	4.4	6.2	4.1	6.0	3.7	5.7	1.5	3.6	6.0	7.9	5.3	7.4	5.0	7.2	4.5	6.8	1.8	4.3	65	200	0.8	
200QELCO0100	10.0	13.1	8.9	12.4	8.3	11.9	7.5	11.3	3.0	7.2	12.0	15.8	10.7	14.9	9.9	14.3	9.0	13.6	3.6	8.6	86	225	1.4	
200QELCO0125	12.5	16.4	11.1	15.5	10.3	14.9	9.3	14.2	3.7	9.0	15.0	19.7	13.3	18.6	12.4	17.9	11.2	17.0	4.5	10.7	86	225	1.4	
200QELCO0150	15.0	19.7	13.3	18.6	12.4	17.9	11.2	17.0	4.5	10.7	18.0	23.6	16.0	22.3	14.9	21.5	13.4	20.4	5.4	12.9	86	225	1.4	
200QELCO0200	20.0	26.2	17.8	24.8	16.5	23.9	14.9	22.7	6.0	14.3	24.0	31.5	21.4	29.7	19.8	28.6	17.9	27.2	7.1	17.2	86	287	1.8	
200QELCO0250	25.0	32.8	22.2	30.9	20.7	29.8	18.6	28.3	7.4	17.9	30.0	39.4	26.7	37.1	24.8	35.8	22.4	34.0	8.9	21.5	100	287	2.5	
200QELCO0300	30.0	39.4	26.7	37.1	24.8	35.8	22.4	34.0	8.9	21.5	36.0	47.2	32.0	44.6	29.8	42.9	26.9	40.8	10.7	25.8	100	287	2.5	

Q<sub>N</sub> = kVAr ; I<sub>N</sub> = Amps

## PRODUCT INFORMATION – 205 SERIES

f <sub>N</sub>	50Hz								60Hz								Dimension (mm)		Weight (kg)					
	525V		500V		480V		440V		525V		500V		480V		440V									
U <sub>N</sub>	Q <sub>N</sub>	I <sub>N</sub>	Q <sub>N</sub>	I <sub>N</sub>	Q <sub>N</sub>	I <sub>N</sub>	Q <sub>N</sub>	I <sub>N</sub>	Q <sub>N</sub>	I <sub>N</sub>	Q <sub>N</sub>	I <sub>N</sub>	Q <sub>N</sub>	I <sub>N</sub>	Q <sub>N</sub>	I <sub>N</sub>	Q <sub>N</sub>	I <sub>N</sub>	Q <sub>N</sub>	I <sub>N</sub>	Q <sub>N</sub>	I <sub>N</sub>	OD	H
205QELCO0010	1.0	1.1	0.9	1.1	0.8	1.0	0.7	0.9	1.2	1.3	1.1	1.3	1.0	1.2	0.8	1.1	60	150	0.5					
205QELCO0015	1.5	1.7	1.4	1.6	1.3	1.5	1.1	1.4	1.8	2.0	1.6	1.9	1.5	1.8	1.3	1.7	60	150	0.5					
205QELCO0020	2.0	2.2	1.8	2.1	1.7	2.0	1.4	1.8	2.4	2.6	2.2	2.5	2.0	2.4	1.7	2.2	60	150	0.5					
205QELCO0025	2.5	2.8	2.3	2.6	2.1	2.5	1.8	2.3	3.0	3.3	2.7	3.1	2.5	3.0	2.1	2.8	60	150	0.5					
205QELCO0030	3.0	3.3	2.7	3.1	2.5	3.0	2.1	2.8	3.6	4.0	3.3	3.8	3.0	3.6	2.5	3.3	60	150	0.5					
205QELCO0033	3.3	3.6	3.0	3.5	2.8	3.3	2.3	3.0	4.0	4.4	3.6	4.2	3.3	4.0	2.8	3.7	60	150	0.5					
205QELCO0050	5.0	5.5	4.5	5.2	4.2	5.0	3.5	4.6	6.0	6.6	5.4	6.3	5.0	6.0	4.2	5.5	65	200	0.8					
205QELCO0100	10.0	11.0	9.1	10.5	8.4	10.1	7.0	9.2	12.0	13.2	10.9	12.6	10.0	12.1	8.4	11.1	86	225	1.4					
205QELCO0125	12.5	13.8	11.3	13.1	10.4	12.6	8.8	11.5	15.0	16.5	13.6	15.7	12.5	15.1	10.5	13.8	86	225	1.4					
205QELCO0150	15.0	16.5	13.6	15.7	12.5	15.1	10.5	13.8	18.0	19.8	16.3	18.9	15.0	18.1	12.6	16.6	86	225	1.4					
205QELCO0200	20.0	22.0	18.1	21.0	16.7	20.1	14.0	18.4	24.0	26.4	21.8	25.1	20.1	24.1	16.9	22.1	86	287	1.8					
205QELCO0250	25.0	27.5	22.7	26.2	20.9	25.1	17.6	23.0	30.0	33.0	27.2	31.4	25.1	30.2	21.1	27.7	100	287	2.5					
205QELCO0300	30.0	33.0	27.2	31.4	25.1	30.2	21.1	27.7	36.0	39.6	32.7	37.7	30.1	36.2	25.3	33.2	100	287	2.5					

Q<sub>N</sub> = kVAr ; I<sub>N</sub> = Amps